

Drives for road machinery



Bonfiglioli: Specific Solutions for Power Transmission and Motion Control

Product diversification, process automation, and quality have enabled Bonfiglioli to play a leading role in the industry. Bonfiglioli's policy focuses on integrated solutions, competence and innovative technology as key factors, indispensable to ensure customer satisfaction, while production is aimed at achieving the highest standards.

Bonfiglioli product portfolio meets the toughest and most sophisticated requirement for Industrial Process and Automation Solution and for Mobile Equipment Solutions.

Such market areas are covered through the following Product Lines:



**BONFIGLIOLI
RIDUTTORI**

representing Helical, Bevel
and Worm Gearmotors and Gear Units



**BONFIGLIOLI
TRASMITAL**

representing Planetary Gearmotors
and Gear Units



**BONFIGLIOLI
VECTRON**

representing AC drives



Drives for road machinery

BONFIGLIOLI TRASMITAL's wide range of final drives for mobile machinery is aimed to satisfy every application requirement for road construction and maintenance machinery, including:

- Milling and recycling machines
- Road compactors, in all versions
- Tracked and wheeled road pavers.



Each of these machines has its own special structural and duty characteristics, which Bonfiglioli Trasmital is well aware of, thanks to over 30 years of experience in the industry, working in close partnership with the leading manufacturers of road machinery.

Bonfiglioli Trasmital is thus able to offer a range of products perfectly tailored to meet a broad variety of drive specifications: from highly compact track drives for milling machines to final drives for road compactors, including wheel drives for road pavers, with 2 speed shift option: slow for operating on work sites and fast for transfer between sites.

A vast range of customised solutions and extensive expertise in the industry, make BONFIGLIOLI TRASMITAL the ideal partner for all manufacturers of road machinery.



Machine Data

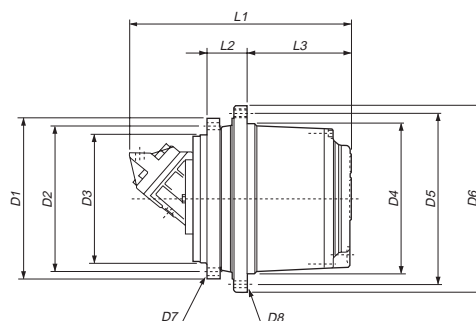
Gearbox Data

weight tons	max. milling width mm	max. milling depth mm	type	output torque Nm	ratios 1:	motor type
from 5 to 8	500	160	703 C2	4000	from 19 to 40	axial piston, 2 displacement
from 8 to 25	1300	300	705 C2	9000	from 41 to 53	
from 25 to 36	2000	300	706 C	16000	from 35 to 68	
from 36 to 45	2200	350	710 C	36000	from 53 to 83	

Type

Dimensions

Type	D1	D2	D3	D4	D5	D6	D7	D8	L1	L2	L3
703 C2	270	230	190	200	240	280	M16x2 n°8	M20x1,5 n°8	365	72	128
705 C2	270	230	190	220	260	300	M16x2 n°12	M16x2 n°16	370	72	158
706 C3	330	300	270	280	330	370	M16x2 n°18	M16x2 n°18	470	115	190
710 C3	375	340	300	350	400	435	M20x2,5 n°20	M20x2,5 n°16	520	91	253



Wheel drives for cold milling machines from 8 to 20 tons

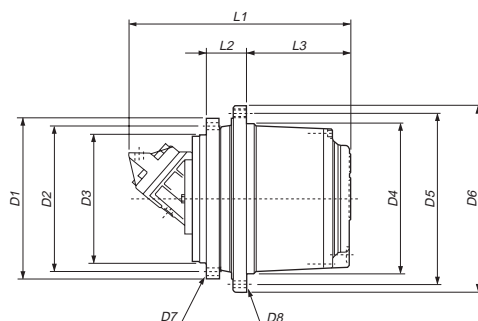


Machine Data			Gearbox Data		
weight	max. milling width	max. milling depth	type	output torque	ratios
tons	mm	mm		Nm	1:
up to 8	500	160	703 C2	4000	from 19 to 40
from 8 to 20	1000	280	705 C2	9000	from 41 to 53

motor type
axial piston,
2 displacement

Type	Dimensions							
	D1	D2	D3	D4	D5	D6	D7	D8
703 C2	270	230	190	200	240	280	M16x2 n°8	M20x1,5 n°8
705 C2	270	230	190	220	260	300	M16x2 n°12	M16x2 n°16

L1 L2 L3
365 72 128
370 72 158





Machine Data

weight tons
from 2,5 to 5
from 5 to 7
from 7 to 9
from 9 to 12
from 12 to 16
from 16 to 18
from 18 to 20
from 20 to 25

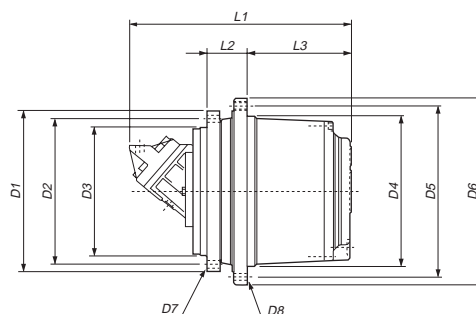
Gearbox Data

type	output torque Nm	ratios 1:	motor type
703 C	4000	from 19 to 40	axial piston, 2 displacement
705 C	8000	from 41 to 53	
706 C	14000	from 35 to 44	
707 C	18000	from 63 to 75	
709 C	27000	from 63 to 75	
710 C	33000	63	
713 C	50000	from 60 to 81	
715 C	80000	from 62 to 129	

Type

Dimensions

Type	D1	D2	D3	D4	D5	D6	D7	D8	L1	L2	L3
703 C2	270	230	190	200	240	280	M16x2 n°8	M20x1,5 n°8	365	72	128
705 C2	270	230	190	220	260	300	M16x2 n°12	M16x2 n°16	370	72	158
706 C3	330	300	270	280	330	370	M16x2 n°18	M16x2 n°18	470	115	190
707 C3	380	285	240	320	380	410	M20x2,5 n°20	M16x2 n°20	460	82	230
709 C3	380	285	240	350	400	435	M20x2,5 n°20	M20x2,5 n°16	495	91	235
710 C3	375	340	300	350	400	435	M20x2,5 n°20	M20x2,5 n°16	520	91	253
713 C3	425	325	290	410	455	490	M20x2,5 n°24	M20x2,5 n°24	565	110	280
715 C3	500	460	420	460	510	550	M20x2,5 n°24	M20x2,5 n°24	652	130	315

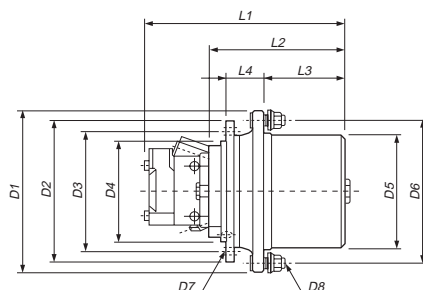


Wheel drives for soil compactor machines from 2,5 to 25 tons



Machine Data		Gearbox Data		motor type
weight tons	type	output torque Nm	ratios 1:	
from 2,5 to 5	603 W	4000	from 19 to 24	axial piston, 2 displacement
from 5 to 7	605 W	8000	from 41 to 53	
from 7 to 9	606 W	14000	from 35 to 44	
from 9 to 12	607 W	18000	from 63 to 75	
from 12 to 16	607 W	18000	from 63 to 75	
from 16 to 18	609 W	27000	from 63 to 75	
from 18 to 20	609 W	27000	from 63 to 75	

Type	Dimensions								L2	L3	L4
	D1	D2	D3	D4	D5	D6	D7	D8			
603 W	280	270	230	190	200	245	M16x2 n°8	M18x1,5 n°6	230	128	72
603 W	280	270	230	190	160	205	M16x2 n°8	M18x1,5 n°6	230	25	175
605 W	310	270	230	190	200	275	M16x2 n°8	M20x1,5 n°6	260	158	72
606 W	370	330	300	270	280	335	M16x2 n°18	M22x1,5 n°10	330	200	115
607 W	410	380	285	240	320	380	M20x2,5 n°20	M18x1,5 n°20	340	230	82
609 W	435	380	285	240	320	400	M20x2,5 n°20	M20x1,5 n°16	350	240	91





Machine Data

weight
tons

- from 1 to 1,5
- from 1,5 to 2,5
- from 2,5 to 5
- from 5 to 7,5
- from 7,5 to 12
- from 12 to 13
- from 13 to 15
- from 15 to 17
- from 17 to 20

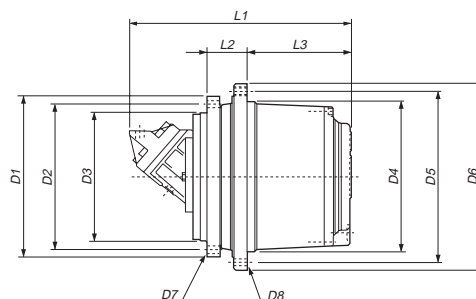
Gearbox Data

type	output torque Nm	ratios 1:	motor type
700 C	1000	5,25	axial piston, 2 displacement
701 C	2100	6,2	
703 C	4000	from 19 to 24	
705 C	9000	from 41 to 53	
706 C	16000	from 35 to 44	
707 C	20000	from 63 to 75	
709 C	30000	from 63 to 75	
710 C	35000	63	
713 C	55000	from 60 to 81	

Type

Dimensions

Type	D1	D2	D3	D4	D5	D6	D7	D8	L1	L2	L3
700 C1	195	175	155	160	180	200	M10x1,5 n°8	M10x1,5 n°8	200	40	80
701 C1	230	200	180	190	210	230	M10x1,5 n°8	M10x1,5 n°18	220	40	105
703 C2	270	230	190	200	240	280	M16x2 n°8	M20x1,5 n°18	365	72	128
705 C2	270	230	190	220	260	300	M16x2 n°12	M16x2 n°16	370	72	158
706 C3	330	300	270	280	330	370	M16x2 n°18	M16x2 n°18	470	115	190
707 C	380	285	240	320	380	410	M120x2,5 n°20	M16x2 n°20	460	82	230
709 C3	380	285	240	350	400	435	M20x2,5 n°20	M20x2,5 n°16	495	91	235
710 C3	375	340	300	350	400	435	M20x2,5 n°20	M20x2,5 n°16	520	91	253
713 C3	425	325	290	410	455	490	M20x2,5 n°24	M20x2,5 n°24	565	110	280

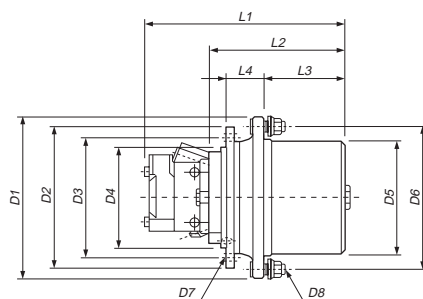


Wheel drives for pneumatic tyred roller machines up to 24 tons



Machine Data		Gearbox Data		motor type
weight tons	type	output torque Nm	ratios 1:	axial piston, 2 displacement
up to 18	607 W	18000	from 33 to 53	
up to 24	609 W	27000	from 33 to 53	

Type	Dimensions								L2	L3	L4
	D1	D2	D3	D4	D5	D6	D7	D8			
607 W	410	380	285	240	320	380	M20x2,5 n°20	M18x1,5 n°20	340	230	82
609 W	435	380	285	240	320	400	M20x2,5 n°20	M20x1,5 n°16	350	240	91





Machine Data

weight tons
up to 14
from 14 to 18
from 18 to 25
from 25 to 28
from 28 to 35

Gearbox Data

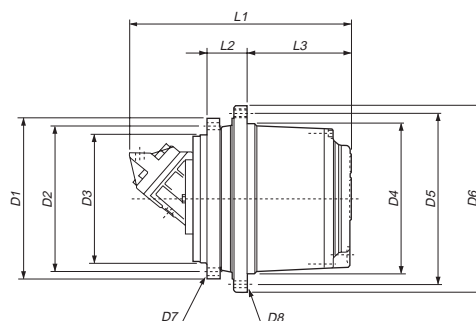
type	output torque Nm	ratios 1:	motor type
706 C	18000	from 35 to 68	axial piston, 2 displacement
707 C	25000	from 63 to 75	
709 C	33000	from 53 to 122	
710 C	40000	from 54 to 111	
713 C	60000	from 60 to 122	

Type

706 C3
707 C3
709 C3
710 C3
713 C3

Dimensions

D1	D2	D3	D4	D5	D6	D7	D8	L1	L2	L3
330	300	270	280	330	370	M16x2 n°18	M16x2 n°18	470	115	190
380	285	240	320	380	410	M20x2,5 n°20	M16x2 n°20	460	82	230
380	285	240	350	400	435	M20x2,5 n°20	M20x2,5 n°16	495	91	235
375	340	300	350	400	435	M20x2,5 n°20	M20x2,5 n°16	520	91	253
425	325	290	410	455	490	M20x2,5 n°24	M20x2,5 n°24	565	110	280



Wheel drives for wheeled paver machines from 8 to 36 tons

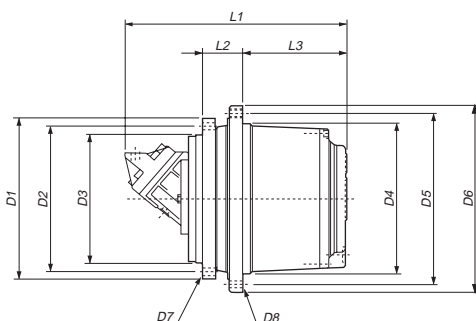
700 C series
610 W2/3 series



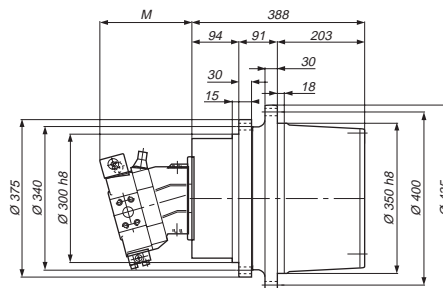
Machine Data		Gearbox Data		motor type
weight tons	type	output torque Nm	ratios 1:	
up to 18	707 C	25000	from 63 to 75	axial piston, 2 displacement
from 18 to 25	709 C	33000	from 53 to 122	
from 25 to 28	710 C	40000	from 54 to 111	
from 25 to 28	610 W2/3	40000	20, 5-24, 5 HI SPEED 71-141 LOW SPEED	
from 28 to 35	713 C	60000	from 60 to 122	

Type	Dimensions								L1	L2	L3
	D1	D2	D3	D4	D5	D6	D7	D8			
707 C3	380	285	240	320	380	410	M20x2,5 n°20	M16x2 n°20	460	82	230
709 C3	380	285	240	350	400	435	M20x2,5 n°20	M20x2,5 n°16	495	91	235
710 C3	375	340	300	350	400	435	M20x2,5 n°20	M20x2,5 n°16	520	91	253
713 C3	425	325	290	410	455	490	M20x2,5 n°24	M20x2,5 n°24	565	110	280

700 C series



610W2/3 series



Quality has Always Been the Distinctive Trait of Bonfiglioli

Total quality for customer satisfaction: this is the underlying concept of the Bonfiglioli philosophy. The Bonfiglioli Quality System applies to all the activities conducted in all production sites. This synergical approach translates into a common Quality Management throughout the Company, which ensures that every process is carried out according to the ISO 9001 : 2000 standards.



For Bonfiglioli, this involved significant changes in all areas of the company, as well as substantial investments. By achieving the ISO 9001: 2000 certification, the Bonfiglioli facilities proved their ability to design, produce and guarantee a quality product.

The Bonfiglioli Group can flaunt the European record scored by its division, who were the first to obtain a quality system certification from two different internationally acknowledged authorities, members of Sincert: Det Norske Veritas and TÜV.

Bonfiglioli Worldwide & BEST Partners

AUSTRALIA

BONFIGLIOLI TRANSMISSION (Aust) Pty Ltd.
48-50 Adderley St. (East) - Auburn (Sydney) N.S.W. 2144
Tel. (+61) 2 8748 4400 - Fax (+61) 2 9748 8740
P.o. Box 6705 Silverwater NSW 1811
www.bonfiglioli.com.au - bta1@bonfiglioli.com.au

BELGIUM

N.V. ESCO TRANSMISSION S.A.
Culliganlaan 3 - 1831 Machelem Diegem
Tel. 0032 2 7204880 - Fax 0032 2 7212827
Tlx 21930 Escopo B
www.escotrans.be - info@escotrans.be

CANADA

BONFIGLIOLI CANADA INC.
2-7941 Jane Street - Concord, ONTARIO L4K 4L6
Tel. (+1) 905 7384466 - Fax (+1) 905 7389833
www.bonfigliolicanada.com - sales@bonfigliolicanada.com

FRANCE

BONFIGLIOLI TRANSMISSIONS S.A.
14 Rue Eugène Pottier BP 19
Zone Industrielle de Moimont II - 95670 Marly la Ville
Tel. (+33) 1 34474510 - Fax (+33) 1 34688800
www.bonfiglioli.fr - btf@bonfiglioli.fr

GERMANY

BONFIGLIOLI GETRIEBE GmbH
Hamburger Straße 18 - 41540 Dormagen
Tel. (+49) 2133 50260 - Fax (+49) 2133 502610
www.bonfiglioli.de - bonfiglioli.getriebe@bonfiglioli.de

VECTRON Elektronik GmbH
Europark Fichtenhain A 6 47807 Krefeld
Tel. (+49) 2151 83960 - Fax (+49) 2151 839699
www.vectron.net - info@vectron.net

GREAT BRITAIN

BONFIGLIOLI (UK) LIMITED
5 Grosvenor Grange - Woolston - Warrington
Cheshire WA1 4SF
Tel. (+44) 1925 852667 - Fax (+44) 1925 852668
www.bonfiglioliuk.co.uk - sales@bonfiglioliuk.co.uk

GREECE

BONFIGLIOLI HELLAS S.A.
O.T. 48A T.O. 230 - C.P. 570 22, Industrial Area - Thessaloniki
Tel. (+30) 2310 796456 - Fax (+30) 2310 795903
www.bonfiglioli.gr - bonfigr@otenet.gr

HOLLAND

ELSTO AANDRIJFTECHNIEK
Loosterweg, 7 - 2215 TL Voorhout
Tel. (+31) 252 219 123 - Fax (+31) 252 231 660
www.elsto.nl - info@elsto.nl

HUNGARY

AGISYS AGITATORS & TRANSMISSIONS Ltd
Fehérvari u. 98 - 1116 Budapest
Tel. 0036 1 2061 477 - Fax 0036 1 2061 486
www.agisys.hu - info@agisys.hu

INDIA

BONFIGLIOLI TRANSMISSIONS PVT Ltd.
PLOT AC7-AC11 Sidco Industrial Estate
Thirumudivakkam - Chennai 600 044
Tel. +91(0)44 24781035 / 24781036 / 24781037
Fax +91(0)44 24780091 / 24781904
www.bonfiglioli.co.in - bonfig@vsnl.com

NEW ZEALAND

SAECO BEARINGS TRANSMISSION
36 Hastie Avenue, Mangere
Po Box 22256, Otahuhu - Auckland
Tel. +64 9 634 7540 - Fax +64 9 634 7552
mark@saeco.co.nz

POLAND

POLPACK Sp. z o.o. - Ul. Chrobrego 135/137 - 87100 Torun
Tel. 0048.56.6559235 - 6559236 - Fax 0048.56.6559238
www.polpack.com.pl - polpack@polpack.com.pl

SPAIN

TECNOTRANS SABRE S.A.
Pol. Ind. Zona Franca sector C, calle F, n°6 08040 Barcelona
Tel. (+34) 93 4478400 - Fax (+34) 93 3360402
www.tecnotrans.com - tecnotrans@tecnotrans.com

SOUTH AFRICA

BONFIGLIOLI POWER TRANSMISSION Pty Ltd.
55 Galaxy Avenue, Linbro Business Park - Sandton
Tel. (+27) 11 608 2030 OR - Fax (+27) 11 608 2631
www.bonfiglioli.co.za - bonfigsales@bonfiglioli.co.za

SWEDEN

BONFIGLIOLI SKANDINAVIEN AB
Kontorsgatan - 234 34 Lomma
Tel. (+46) 40 412545 - Fax (+46) 40 414508
www.bonfiglioli.se - info@bonfiglioli.se

THAILAND

K.P.T MACHINERY (1993) CO.LTD.
259/83 Soi Phiboovnes,
Sukhumvit 71 Rd. Phrakonong-nur,
Wattana, Bangkok 10110
Tel. 0066.2.3913030/7111998
Fax: 0066.2.7112852/3811308/3814905
www.kpt-group.com - sales@kpt-group.com

USA

BONFIGLIOLI USA INC
1000 Worldwide Boulevard - Hebron, KY 41048
Tel.: (+1) 859 334 3333 - Fax: (+1) 859 334 8888
www.bonfiglioliusa.com
industrialsales@bonfiglioliusa.com
mobilesales@bonfiglioliusa.com

VENEZUELA

MAQUINARIA Y ACCESORIOS IND.-C.A.
Calle 3B - Edif. Comindu - Planta Baja - Local B
La Urbina - Caracas 1070
Tel. 0058.212.2413570 / 2425268 / 2418263
Fax: 0058.212.2424552 - Tlx: 24780 Maica V
www.maica-ve.com - maica@telcel.net.ve

HEADQUARTERS

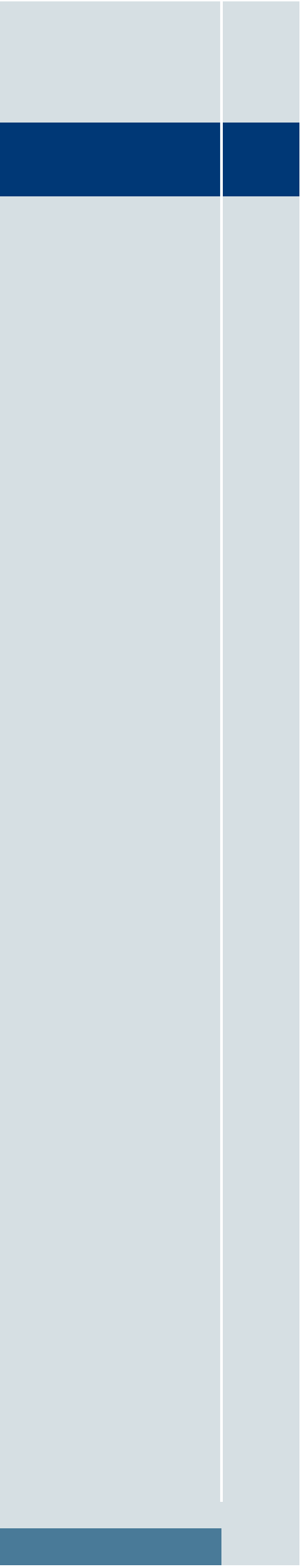
BONFIGLIOLI RIDUTTORI S.p.A.
Via Giovanni XXIII, 7/A
40012 Lippo di Calderara di Reno
Bologna (ITALY)
Tel. (+39) 051 6473111
Fax (+39) 051 6473126
www.bonfiglioli.com
bonfiglioli@bonfiglioli.com

SALES DEPARTMENT

BONFIGLIOLI RIDUTTORI S.p.A.
Via Enrico Mattei, 12 - Z.I.
Villa Selva - 47100 Forlì (ITALY)
Tel. (+39) 0543 789111
Fax (+39) 0543 789242 - 0543 789245
trasmital@bonfiglioli.com



1110101011010100110111
101010010101011101010
10010101011101100100
10100011010101010
1010111010101001
011101010101010110
101010011010110110
10101010101010101
1010011011101101
0001101010101010
010111010101010
010101010101010
0011010110
10101010110110
011011101101
01110111010
1010111010



MOBILE EQUIPMENT
DRIVES FOR ROAD MACHINERY



www.bonfiglioli.com

