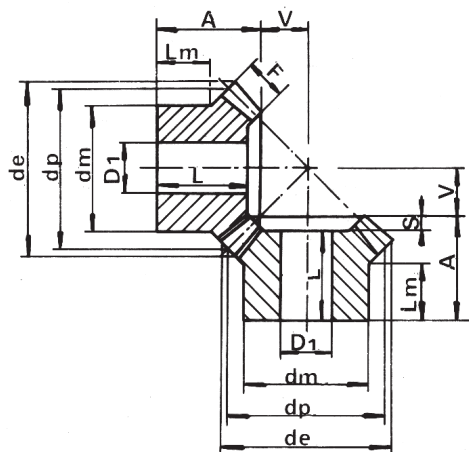




COPPIE CONICHE A DENTI DIRITTI

Coppe Coniche

Angolo di pressione: 20°
ad assi normali secondo UNI 6588



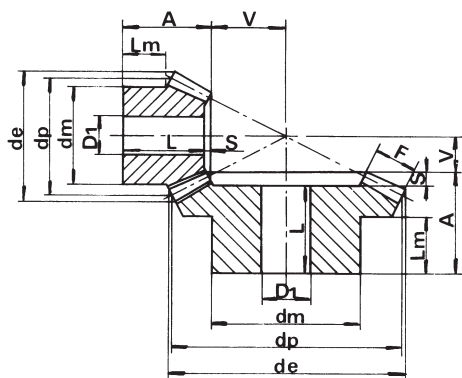
RAPPORTO 1:1

MATERIALE: C 45 - UNI 7847

M	Z	d _p	d _e	F	A	d _p	D ₁	L	V	S	L _m
1.5	16	24.0	26.12	6	18.9	20.3	8		7.10		12
	20	30.0	32.12	10	20	22	10	18	7.40	2	8.5
	25	37.5	39.62	10	23	28	10	21	11.09	2	12
	30	45.0	47.12	12	25	30	12	22.5	13.35	2.5	12
2	16	32.0	34.83	8	23.5	25.3	8		9.50		14
	20	40.0	42.83	12	25	32	10	22	10.78	3	11.7
	25	50.0	52.82	14	28	40	12	25	14.28	3	12.3
	30	60.0	62.83	16	30	50	12	27	17.78	3	12.8
2.5	16	40.0	43.53	10	28.1	30.3	12		11.90		15
	20	50.0	53.53	12	30.5	40	12	27	15.43	3.5	16
	25	62.5	66.00	15	33.5	50	15	30	19.48	3.5	16
	30	75.0	78.53	18	35.5	55	15	32	23.63	3.5	16
3	16	48.0	52.25	12	31.7	40.3	12		14.30		18
	20	60.0	64.24	18	35	45	15	31	16.00	4	13.6
	25	75.0	79.24	20	38	55	15	34	22.00	4	16
	30	90.0	94.24	22	40	60	20	36	28.00	4	17
3.5	16	56.0	60.95	14	36.4	45.3	16		16.60		20
	20	70.0	74.95	22	40.5	55	15	36	18.13	4.5	17
	25	87.5	92.45	26	43.5	65	20	39	23.97	4.5	18
	30	105.0	109.95	30	48	70	20	43.5	30.02	4.5	19
4	16	64.0	69.65	15	44.3	50.3	16		19.70		25
	20	80.0	85.65	25	43	60	18	38	20.74	5	18
	25	100.0	105.65	28	45	70	20	40	28.50	5	18
	30	120.0	125.65	32	48	80	20	43	35.67	5	16
4.5	16	72.0	78.38	17.5	46.3	55.3	20		21.70		25
	20	90.0	96.38	28	48	65	20	42	23.41	6	18
	25	112.5	118.80	32	50	75	20	44	31.76	6	18
	30	135.0	141.38	35	53	90	20	47	40.82	6	17
5	16	80.0	87.07	18	48.9	60.3	20		25.10		25
	20	100.0	107.07	30	50.5	70	20	44	26.86	6.5	18.5
	25	125.0	132.07	34	53.5	90	20	47	36.36	6.5	18
	30	150.0	157.07	38	56.5	110	20	50	45.97	6.5	18

Coppe Coniche

Angolo di pressione: 20°
ad assi normali secondo UNI 6588



RAPPORTO 1:2

MATERIALE: C 45 - UNI 7847

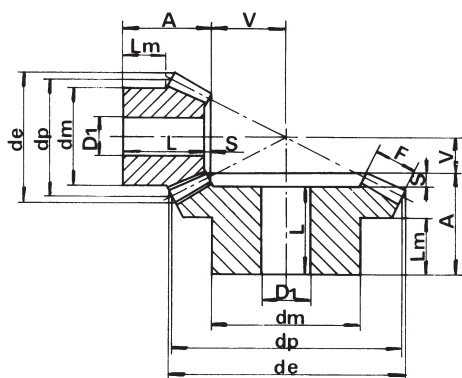
M	Z	d _p	d _e	F	A	d _p	D ₁	L	V	S	L _m
1.5	16	24	26.68	8	19.5	21	10	18	16.33	1.5	11.3
	32	48	49.34	8	20.0	32	12	17	7.45	3	10
2	16	32	35.57	10	23.0	26	10	21	22.41	2	11.9
	32	64	65.78	10	25.0	40	12	21	10.21	4	10
2.5	16	40	44.47	12	27.5	34	12	25	28.38	2.5	14.4
	32	80	82.23	12	25.0	50	15	20	12.97	5	10
3	16	48	53.36	15	28.0	40	15	25	33.64	3	11.6
	32	96	98.68	15	30.0	60	15	24	15.31	6	10
3.5	16	56	62.26	18	33.5	48	15	30	38.83	3.5	14.4
	32	112	115.12	18	31.0	70	20	24	17.77	7	10
4	16	64	71.15	20	36.0	50	15	32	44.81	4	13.4
	32	128	131.57	20	32.0	80	20	24	20.42	8	10
4.5	16	72	80.05	22	39.5	60	20	35	51.00	4.5	15.4
	32	144	148.00	22	36.0	90	20	27	23.21	9	10
5	16	80	88.94	25	50.0	60	20	45	56.06	5	21.1
	32	160	164.46	25	38.0	100	20	28	25.52	10	10



COPPIE CONICHE A DENTI DIRITTI

Coppie Coniche

Angolo di pressione: 20°
ad assi normali secondo UNI 6588



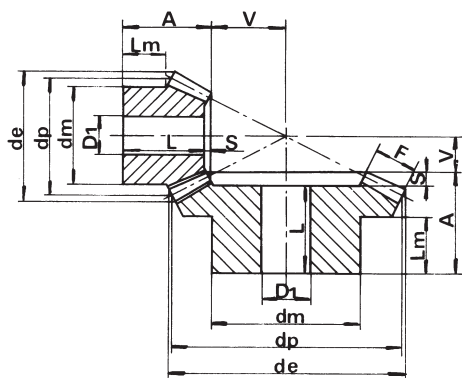
RAPPORTO 1:3

MATERIALE: C 45 - UNI 7847

M	Z	d _p	d _e	F	A	d _p	D ₁	L	V	S	L _m
1.5	16	24	26.82	12	24	20	10	23	24.42	1	11.7
	48	72	72.95	12	20	50	12	17	7.27	3	10
2	16	32	35.80	15	28.5	26	12	27	33.26	1.5	12.4
	48	96	97.26	15	23	60	15	19	9.90	4	10
2.5	16	40	44.74	18	32	32	12	30	42.41	1.5	13
	48	120	121.58	18	26	70	20	21	12.60	5	10
3	16	48	53.69	18	32	40	15	30	54.25	2	12.1
	48	144	145.90	18	29	80	20	23	16.20	6	10
3.5	16	56	62.64	22	38	48	15	35.5	62.29	2.5	15
	48	168	170.21	22	31	90	20	24	18.48	7	10
4	16	64	71.59	25	41.5	55	20	38.5	71.23	3	15.2
	48	192	194.53	25	33	100	20	25	21.20	8	10
4.5	16	72	80.53	28	53	60	20	50	80.27	3	23.4
	48	216	218.84	28	49	100	20	40	23.93	9	18
5	16	80	89.48	35	60	60	20	57	85.61	3	22.5
	48	240	243.16	35	50	150	20	40	25.45	10	20

Coppie Coniche

Angolo di pressione: 20°
ad assi normali secondo UNI 6588



RAPPORTO 1:4

MATERIALE: C 45 - UNI 7847

M	Z	d _p	d _e	F	A	d _p	D ₁	L	V	S	L _m
1.5	16	24	26.91	12	25	18	10	24	36.02	1	12.2
	64	96	96.73	12	22	70	15	19	8.53	3	10
2	16	32	35.88	15	24	25	12	23	49.07	1	8.2
	64	128	128.97	15	24	80	20	20	11.79	4	10
2.5	16	40	44.85	18	30.5	30	12	29	61.99	1.5	11.7
	64	160	161.21	18	29	90	20	24	13.77	5	10
3	16	48	53.82	22	34	40	15	32	74.05	2	11
	64	192	193.45	22	30	100	20	24	16.41	6	10
3.5	16	56	62.80	25	45	48	15	43	87.13	2	19.1
	64	224	225.70	25	50	100	20	43	19.32	7	22
4	16	64	71.76	30	50	50	20	48	98.21	2	18.5
	64	256	257.94	30	50	120	20	42	21.72	8	20
4.5	16	72	80.73	32	53	55	20	50.5	112.08	2.5	19
	64	288	290.18	32	53	130	20	44	24.83	9	23
5	16	80	89.70	35	58	60	20	55.5	125.06	2.5	20.6
	64	320	322.42	35	58	150	20	48	27.65	10	25



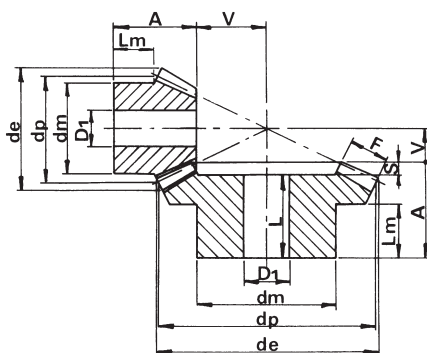
COPPIE CONICHE A DENTI DIRITTI

Coppie Coniche

ad assi normali

Angolo di pressione: 20°

Gleason System



RAPPORTO 1:1.5

MATERIALE: C 45 - UNI 7847

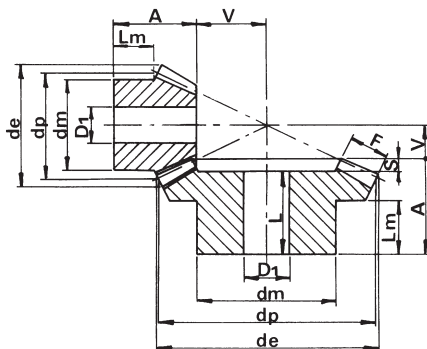
M	Z	d _p	d _e	F	A	d _p	D ₁	L	V	S	L _m
1	16	16	18.1	4.3	12	13.3	4		8		7
	24	24	24.8	4.3	14.8	20.3	5	13.3	5.2	1.5	9.3
1.5	16	24	27.1	8	20.3	20.3	8		10.7		11.8
	24	36	37.2	8	24.9	28.3	8	22.7	7.1	2.2	16
2	16	32	36.2	10	25.2	25.3	8		14.8		13.8
	24	48	49.7	10	27.2	32.3	8	24.7	9.8	2.5	16
2.5	16	40	45.2	13	30.8	32.3	12		18.2		16.4
	24	60	62.1	13	34	45.3	14	30.8	12	3.2	20
3	16	48	54.3	14.5	32.4	40.3	12		22.6		16.4
	24	72	74.5	14.5	36.2	55.3	16	32	14.8	4.2	20
3.5	16	56	63.3	18	40.4	45.3	16		25.6		20.4
	24	84	86.9	18	44.2	55.3	20	40	16.8	4.2	25
4	16	64	72.4	18	46.8	50.3	16		31.2		25.4
	24	96	99.3	18	45.5	60.3	20	40	20.5	5.5	25
4.5	16	72	81.4	20	47.6	60.3	20		35.4		25.1
	24	108	111.7	20	57.8	80.3	20	51.3	23.2	6.5	35
5	16	80	90.5	24	54.1	60.3	20		37.9		25.4
	24	120	124.1	24	61.1	80.3	20	54.5	24.9	6.6	35

Coppie Coniche

ad assi normali

Angolo di pressione: 20°

Gleason System



RAPPORTO 1:2

MATERIALE: C 45 - UNI 7847

M	Z	d _p	d _e	F	A	d _p	D ₁	L	V	S	L _m
1	15	15.0	17.4	5	11.9	13.3	4		10.1		6.5
	30	30.0	30.6	5	15.1	20.3	5	13.7	4.9	1.4	9
1.5	15	22.5	26.1	9	21.1	19.3	8		13.9		11.9
	30	45.0	45.9	9	25.2	32.3	8	23	6.8	2.2	16
2	15	30.0	34.8	11.5	26	25.3	8		19.0		14.1
	30	60.0	61.2	11.5	29.8	40.3	14	26.8	9.2	3	18
2.5	15	37.5	43.5	15	31.8	32.3	12		23.2		16.2
	30	75.0	76.5	15	33.7	45.3	16	30	11.3	3.7	20
3	15	45.0	52.2	17	37.3	40.3	12		28.7		19.9
	30	90.0	91.8	17	42.1	55.3	16	38	13.9	4.1	25
3.5	15	52.5	60.9	20.5	46.1	45.3	16		32.9		24.7
	30	105.0	107.1	20.5	45	60.3	20	40	16.0	5	25
4	15	60.0	69.6	22.5	48.6	50.3	20		38.4		24.6
	30	120.0	122.3	22.5	57.3	80.3	20	51.9	18.7	5.4	35
4.5	15	67.5	78.3	26	51.4	60.3	20		42.6		24.7
	30	135.0	137.6	26	60.3	80.3	20	54.3	20.7	6	35
5	15	75.0	87	30	57.6	60.3	20		46.4		25.3
	30	150.0	152.9	30	62.5	80.3	20	56	22.5	6.5	35



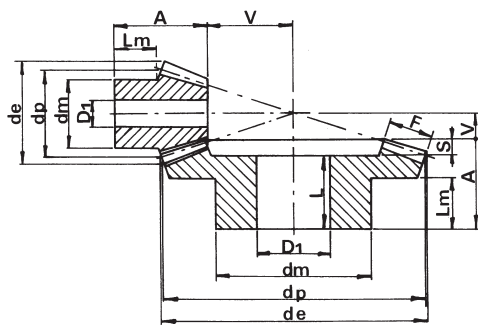
COPPIE CONICHE A DENTI DIRITTI

Copie Coniche

ad assi normali

Angolo di pressione: 20°

Gleason System



RAPPORTO 1:2.5

Copie coniche ad esaurimento.

MATERIALE: C 45 - UNI 7847

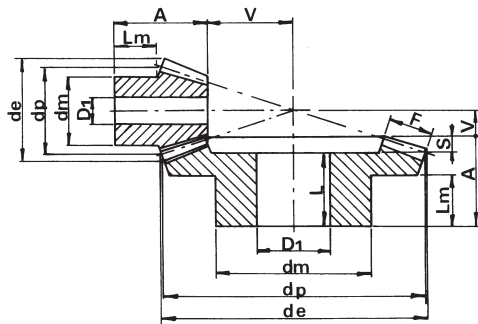
M	Z	d _p	d _e	F	A	d _p	D ₁	L	V	S	L _m
1	16	16	18.6	6.5	14.4	13.3	4		13.6		7.4
	40	40	40.4	6.5	14.8	25.3	8	13	5.2	1.8	9
1.5	16	24	27.9	11.5	24.2	20.3	8		18.8		12.3
	40	60	60.7	11.5	27.8	40.3	14	25.5	7.2	2.3	18
2	16	32	37.2	15	29.6	25.3	8		25.4		13.7
	40	80	80.9	15	32.4	45.3	16	29	9.6	3.4	20
2.5	16	40	46.4	19	38.4	32.3	12		31.6		18.5
	40	100	101.1	19	39.8	55.3	16	35.9	12.2	3.9	25
3	16	48	55.7	21.5	41.9	40.3	16		39.1		19.6
	40	120	121.4	21.5	47.9	60.3	20	44	15.1	3.9	30
3.5	16	56	65.0	22.6	49.1	45.3	20		47.9		25
	40	140	141.6	22.6	54.6	80.3	20	50	18.4	4.6	35
4	16	64	74.3	26	52.5	55.3	20		54.5		25.3
	40	170	161.8	26	57.0	80.3	20	50.5	21.0	6.5	35
4.5	16	72	83.6	30	56.3	60.3	20		60.7		24.6
	40	180	182.1	30	59.7	80.3	20	53	23.3	6.7	35
5	16	80	92.9	32	65.4	60.3	20		68.6		30.1
	40	200	202.3	32	65.7	90.3	20	58.3	26.3	7.4	40

Copie Coniche

ad assi normali

Angolo di pressione: 20°

Gleason System



RAPPORTO 1:3

MATERIALE: C 45 - UNI 7847

M	Z	d _p	d _e	F	A	d _p	D ₁	L	V	S	L _m
1	15	15	17.7	7.1	16.6	13.3	4		15.4		9.2
	45	45	45.3	7.1	17.1	25.3	8	15.2	4.9	1.9	10
1.5	15	22.5	26.5	10.5	22.6	19.3	8		23.4		11.7
	45	67.5	68.1	10.5	29.6	45.3	14	27.2	7.4	2.4	20
2	15	30	35.4	14	28.9	25.3	8		31.1		14.2
	45	90	90.8	14	32.1	45.3	16	28.4	9.9	3.7	20
2.5	15	37.5	44.2	18	34.6	32.3	12		38.4		15.9
	45	112.5	113.4	18	39.7	60.3	20	35.3	12.3	4.4	25
3	15	45	53.0	21	41.3	40.3	16		46.7		19.7
	45	135	136.1	21	47.2	60.3	20	42	14.8	5.2	30
3.5	15	52.5	61.9	23.5	49.6	45.3	20		55.4		25
	45	157.5	158.8	23.5	54.4	80.3	20	48.6	17.6	5.8	35
4	15	60	70.7	27.5	54.3	50.3	20		62.7		25.4
	45	180	181.5	27.5	57	80.3	20	50.5	20	6.5	35
4.5	15	67.5	79.5	28.5	55.2	55.3	20		72.8		24.8
	45	202.5	204.2	28.5	63.9	90.3	20	57	23.1	6.9	40
5	15	75	88.4	33	65.3	60.3	20		79.7		30
	45	225	226.9	33	66.7	90.3	20	59.2	25.3	7.5	40

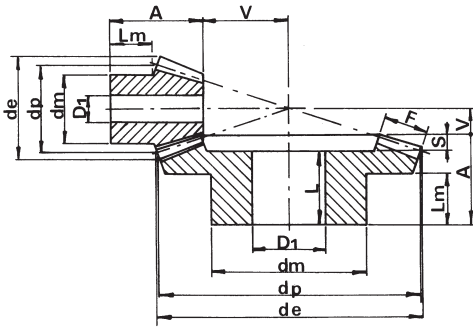


COPPIE CONICHE A DENTI DIRITTI

Copie Coniche

ad assi normali
Angolo di pressione: 20°

Gleason System



RAPPORTO 1:3.5

Copie coniche ad esaurimento.

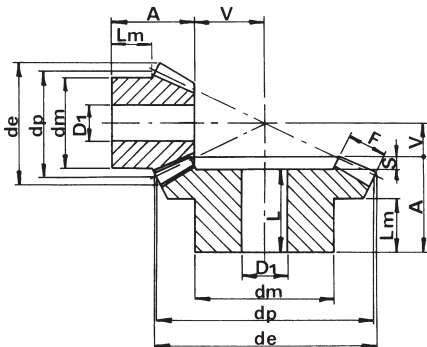
MATERIALE: C 45 - UNI 7847

M	Z	d _p	d _e	F	A	d _p	D ₁	L	V	S	L _m
1	16	16	18.7	8.7	16.6	13.3	4		19.4		7.6
	56	56	56.3	8.7	16.7	30.3	8	14.2	5.3	2.5	10
1.5	16	24	28.1	12	24	20.3	8		30		11.5
	56	84	84.5	12	34.8	45.3	14	32	8.2	2.8	25
2	16	32	37.5	16	30.9	25.3	8		40.1		14.1
	56	112	112.6	16	37.1	55.3	16	33.3	10.9	3.8	25
2.5	16	40	46.8	20	38.9	32.3	14		50.1		17.9
	56	140	140.8	20	44.4	60.3	20	40	13.6	4.4	30
3	16	48	56.2	24	49.9	40.3	16		60.1		24.9
	56	168	169	24	52.7	80.3	20	47.5	16.3	5.2	35
3.5	16	56	65.6	25	52	45.5	20		73		25.5
	56	196	197.1	25	55.1	80.3	20	49.1	19.9	6	35

Copie Coniche

ad assi normali
Angolo di pressione: 20°

Gleason System



RAPPORTO 1:4

MATERIALE: C 45 - UNI 7847

M	Z	d _p	d _e	F	A	d _p	D ₁	L	V	S	L _m
1	15	15.0	17.80	9.3	17.2	13.3	4		20.8		7.7
	60	60	60.30	9.3	17.1	30.3	8	15.2	4.9	1.9	10
1.5	15	22.5	26.70	11	23	20.3	8		34.0		11.7
	60	90	90.40	11	34	50.3	16	31.2	8.0	2.8	25
2	15	30	35.60	16	31	25.3	8		44.0		14.4
	60	120	120.60	16	37.6	60.3	16	34.2	10.4	3.4	25
2.5	15	37.5	44.50	19	38.1	32.3	14		55.9		18.4
	60	150	150.70	19	44.8	60.3	20	40	13.2	4.8	30
3	15	45	53.30	23	48.1	40.3	16		66.9		24.5
	60	180.0	180.80	23	53.2	80.3	20	48.2	15.8	5	35
3.5	15	52.5	62.20	26	52.1	45.3	20		78.9		25.1
	60	210	211.00	26	60.4	90.3	20	54.4	18.6	6	40
4	15	60	71.10	30	55.1	50.3	20		89.9		23
	60	240	241.10	30	60.8	90.3	20	53	21.2	7.8	40
4.5	15	67.5	79.97	32	57	52.3	20		102.9		23
	60	270	271.24	32	62	90.3	20	53.5	24.3	8.5	40
5	15	75	88.80	34	62	55.3	20		115.7		25
	60	300.0	301.30	34	65	90.3	20	55	27.0	10	40