



### Torque Range

1.750 ... 60.000 Nm

### Gear Ratios

5,8 ... 153

### Key Features

Rotating housing flange with studs to fit wheels and drums

Rugged design

High torque capacity

High load capacity

Mechanical lifetime seals

Compact design

Optional mechanical gear disengagement on request

### Applicable motors

Cartridge axial piston hydraulic motors

Flanged axial piston hydraulic motors

Hydraulic orbit motors

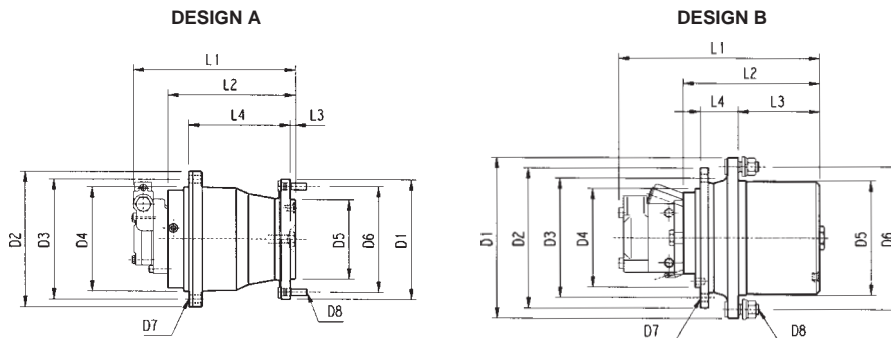
DC electric motors

### Brake

Hydraulically released parking brake on request

Type	Max. Torque Nm	Range of ratios 1:	Max. input speed min-1	Hydraulic motor drive (1)	Braking torque Nm	Min. opening pressure bar	Weight Kg	Design
601 R	1750	5.77	500	LS	450 - 600	15 - 20	35	A
603 W..V	4000	19-23-32-40	3000	HS	210	18	45	B
603 W..L	4000	19-23-32-40	3000	HS	210	18	45	A
605 W..V	7000	22-27-30-42-53	3000	HS	220 - 310	10 - 20	70	B
606 W..V	12000	30- 35-43-68-79	3000	HS	300 - 800	15 - 20	110	B
607 W..V	17000	33-75-108	3000	HS	300 - 600	15 - 20	140	B
609 W..V	23000	33-142	3000	HS	300 - 600	15 - 20	170	B
610 W..V	30000	20 - 111	3000	HS	300 - 800	15 - 20	200	B
611 W..V	36000	41-47	3000	HS	300 - 800	15 - 20	250	B
613 W..V	45000	108	3000	HS	300 - 800	15 - 20	250	B
615 W..V	60000	108	3000	HS	300 - 1000	15 - 20	350	B

(1) LS = Low speed motor  
HS = High speed motor



Type	Dimensions											
	D1	D2	D3	D4	D5	D6	D7	D8	L1	L2	L3	L4
601 R	230	260	230	200	152.4	203.2	15 n°8	M14x1,5 n°8	245	10	195	
603 W..V	280	270	230	190	200	245	M16x2 n°8	M18x1,5 n°6	230	128	72	
603 W..L	280	270	230	190	160	205	M16x2 n°8	M18x1,5 n°6	230	25	175	
605 W..V	310	270	230	190	200	275	M16x2 n°8	M20x1,5 n°6	260	158	72	
606 W..V	370	330	300	270	280	335	M16x2 n°18	M22x1,5 n°10	330	200	115	
607 W..V	410	380	285	240	320	380	M20x2,5 n°20	M18x1,5 n°20	340	230	82	
609 W..V	435	380	285	240	350	400	M20x2,5 n°20	M20x1,5 n°16	350	240	91	
610 W..V	435	375	340	300	350	400	M20x2,5 n°16	M22x1,5 n°16	375	253	91	
611 W..V	490	425	325	290	410	455	M20x2,5 n°24	M20x1,5 n°24	375	242	110	
613 W..V	490	425	325	280	410	455	M20x2,5 n°24	3/4-16 UNF n°24	405	275	110	
615 W..V	550	500	460	420	460	510	M20x2,5 n°24	M20x1,5 n°24	470	320	130	

### HEADQUARTERS

**BONFIGLIOLI RIDUTTORI**  
Via Giovanni XXIII, 7/A  
40012 Lippo di Calderara di Reno  
Bologna (ITALY)  
Tel. (+39) 051 6473111  
Fax (+39) 051 6473126  
www.bonfiglioli.com

### SALES DEPARTMENT

**BONFIGLIOLI RIDUTTORI S.p.A.**  
Via Enrico Mattei, 12 - Z.I. Villa Selva  
47100 Forlì (ITALY)  
Tel. (+39) 0543 789111  
Fax (+39) 0543 789242 - 0543 789245  
trasmital@bonfiglioli.com

